

USER MANUAL

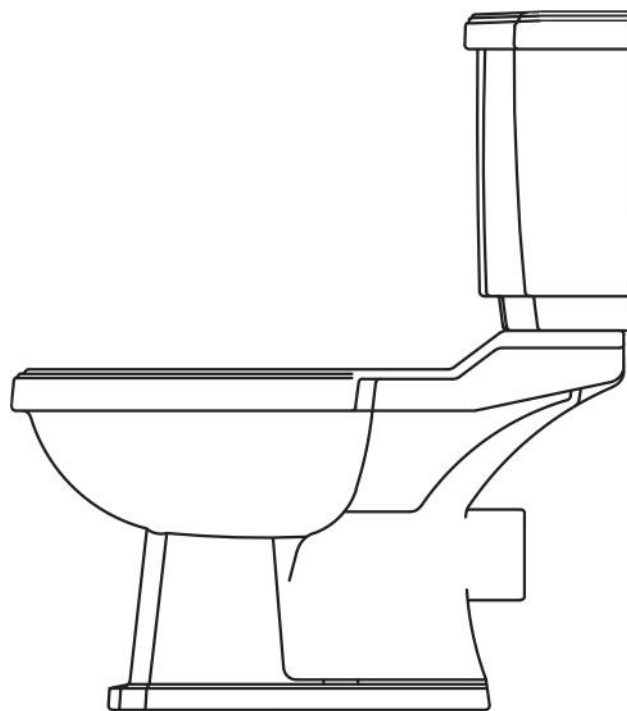


Thank you for choosing Better Bathrooms.
Please read this manual before installing your product
and keep for future reference.

better 
bathrooms

PRCCPAN & PRCCCIST

**Park Royal Close Coupled Pan & Park Royal Close Coupled Cistern
with Chrome Ceramic Lever Flush**



Please note: Image is for illustrative purposes only and may differ slightly to the actual product

- **Single-person assembly**
- **Tools required**
- **We always recommend using professional tradespeople to install your product**

V1_11.11.24

Congratulations on your purchase

And welcome to our growing gang of savvy shoppers

We're on a mission to bring you extraordinary bathroom products, for less. From modern to traditional style ceramics, plus the gorgeous fixtures, fittings and furniture to match. So, you can fall in love with your space every single day.

As one of the UK's largest independent bathroom stores, we've received countless awards; including the National Business Awards UK, the Digital Entrepreneur Awards and being placed on The Sunday Times Fast Track 100.

We hope your new product goes above and beyond your expectations. However, should any problems occur, please:

- log in to your account and contact our customer services team via your self-serve portal – betterbathrooms.com/CustomerAccount/Login
- contact us via betterbathrooms.com/content/contact-us

Important information

- Please read these instructions thoroughly and retain for future reference.
- Manufactured to BS EN997 WC pans and WC suites with integral trap.
- All installation work must be carried out to comply with the Water Bylaw Regulations.
- The installation should be designed to allow access for maintenance.
- This manual covers installation of the toilet pan, seat and cistern.



WARNING: Risk of personal injury or product damage:
Handle vitreous china products very carefully.
Vitreous china can break and chip if you overtighten bolts and nuts.

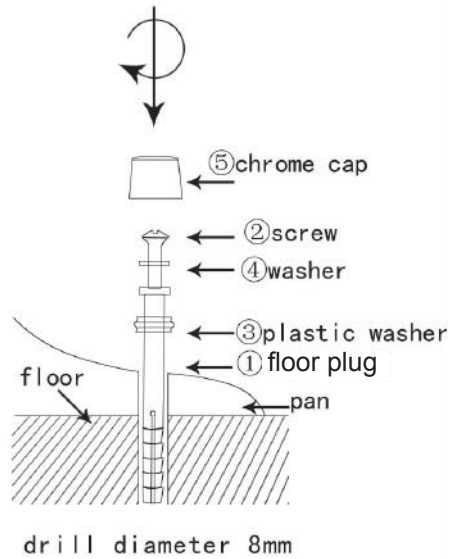


WARNING: Risk of external leakage . The fill valve nut has been factory-tightened to design specifications. If re-tightening is required, wrench tighten one turn past finger tight .

Contents

| | |
|------------------------------------|-----|
| • Parts | 4-5 |
| • Tools required | 5 |
| • Installation | |
| ○ Pan Connector | 6 |
| ○ Close coupled Toilet Pan Fitting | 6-7 |
| ○ Preparing the Cistern | 8 |
| • Maintenance | 9 |
| • Cleaning | 9 |

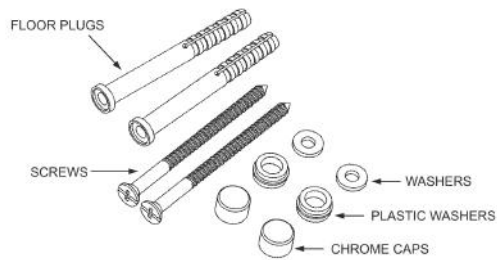
Parts



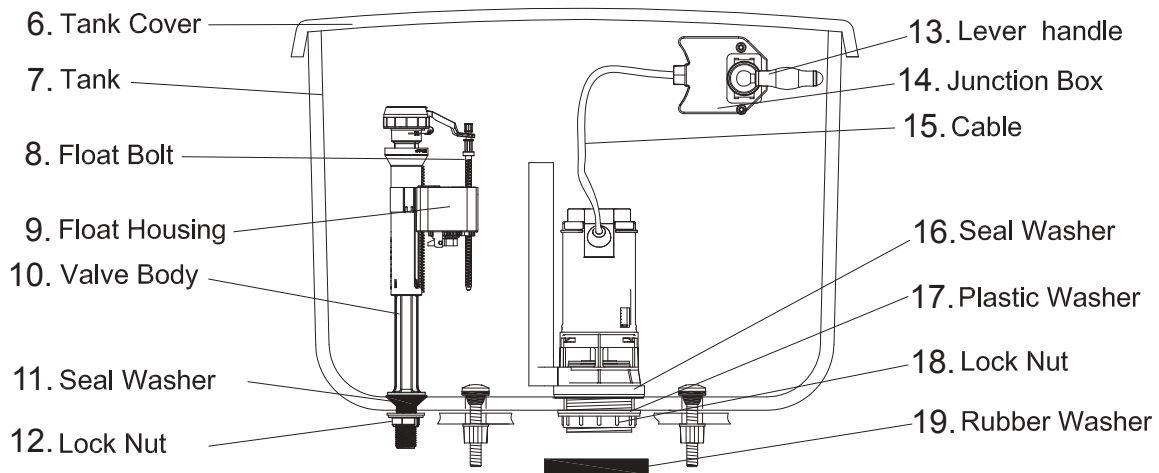
Toilet Pan

Floor fixing kit (below components)

1. 2 XFLOOR PLUGS 8 x72mm
2. 2XSCREWS 5 x80mm
3. 2 X PLASTIC WASHERS
4. 2 X WASHERS
5. 2 X CHROME CAPS



Cistern & Flushing



Tools required

- Screwdriver
- Pencil
- Drill
- Sprit Level
- Drill Bit
- Hacksaw
- Spanner
- Adjustable grips
- Silicone sealant
- Hammer

Installation

Please note: Before starting any installation, turn off the water supply

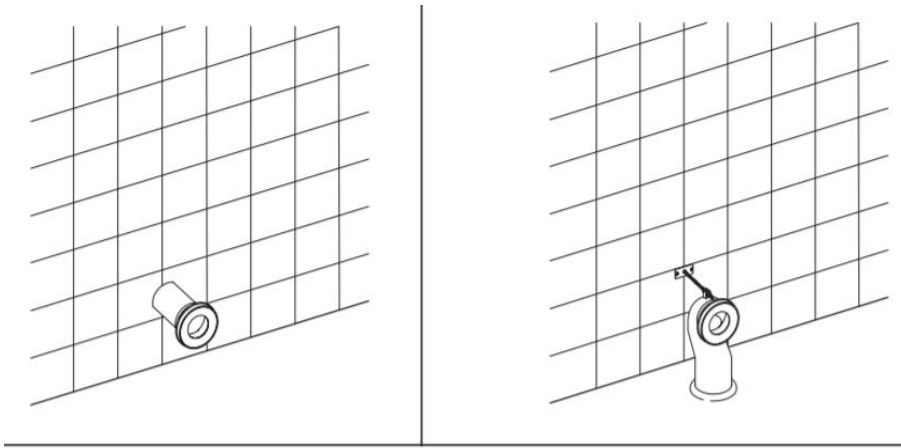
Please note: Whenever possible and when safe to do so, it is recommended to carry out leak tests during the installation process

Pan Connector

The pan connector should be prepared for connection to the toilet being installed.

Please note: Pan connector (waste pipe) may need to be purchased separately if a new installation

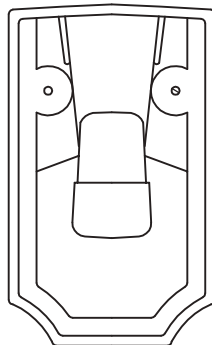
Depending on your toilet, the pan connector could be installed through the wall, floor right and/or left.



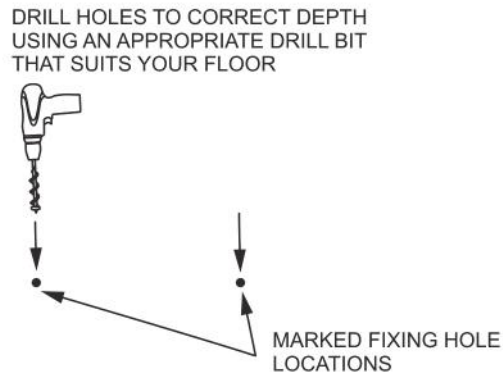
Please note: Pan connector is not included.

Close Coupled Toilet Pan Fitting

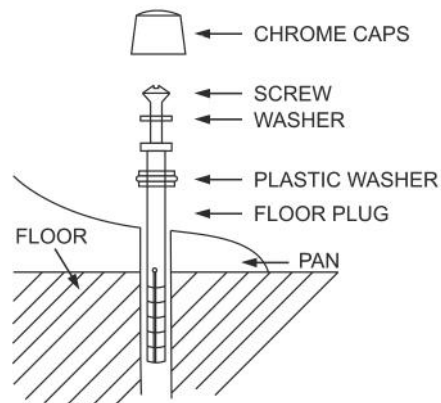
1. Prepare the pipes as advised (cutting of the flush pipe and pan connector may be required).
2. Place the pan into position. Mark the two pan fixing hole locations, then remove the pan.



3. Drill holes using an appropriate drill bit. Apply wet areas silicone into the holes to help keep the floor waterproof.



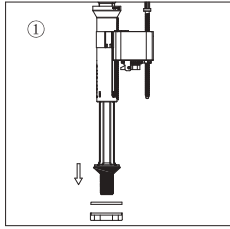
4. The floor plug should be inserted into the hole, then place the pan into position. Install the floor fixing kit as shown below. Take care not to damage the pan.



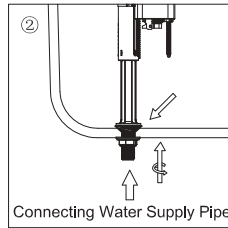
5. Once the installation is completed, a small bead of silicone can be applied around the bottom edge of the toilet pan.

Preparing the Cistern

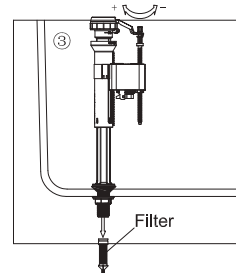
1. A122 Fill Valve:



Disassemble the Lock Nut and Plastic Washer for valve installation.

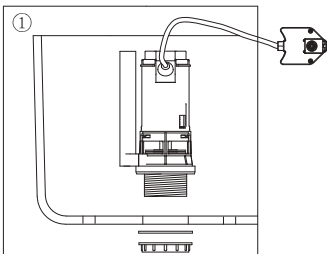


Position VALVE inside tank. Twist the Valve Shank clockwise, and pull the Valve Body to an expected height, and then twist the Valve Shank anticlockwise to fixed it.

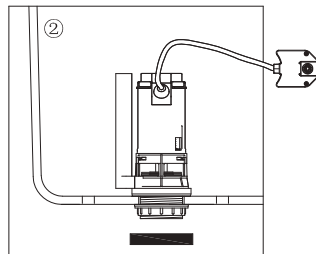


Adjusting water level by screwing Float Bolt, Take out of the Filter and clean it often.

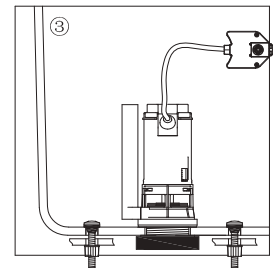
2. B228 Dual Flush Valve



Disassemble lock Nut for Valve installation. Position the VALVE inside the TANK. Push down on the Valve Body while tightening the Hexagon Nut from outside.

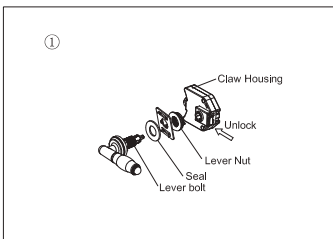


Nest the Rubber Washer in the Lock Nut

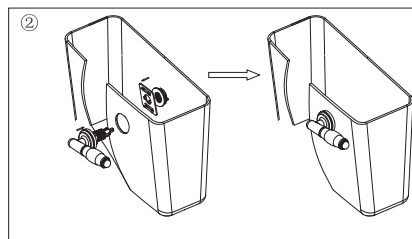


Nest the Tank To Bowl Washer in the Lock Nut and position the TANK on the Toilet Bowl properly. Disassemble the Tank To Bowl Bolts. Fix the Tank to Toilet Bowl with the Tank To Bowl Bolts tightly.

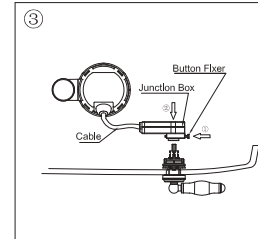
3. C529 Lever



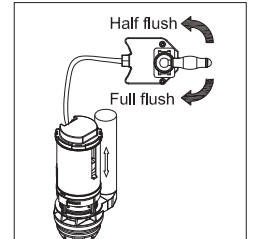
Unlock the Button Fixer of claw housing, take out the front lever, then loosen the lever nut.



Install the lever in the front hole and fix the nut properly.



Make the Cable smooth, install the Lever on the Junction Box, and then close the Tank Lid. Fill the Tank with water and push the Full&Half Button to check whether the flushing is normal or not.



Maintenance

Please note: Turn off the water supply and flush the toilet to drain away the water in the tank, it is also recommended to have a bucket under the tank to catch draining water

Please note: Depending on the toilet design you may need to remove the toilet pan from its location to access the inlet valve water supply nut and retaining nut

To replace the inlet valve

Disconnect the water supply from the inlet valve, then remove the inlet valve by unscrewing the nut on the underside of the cistern tank and remove the cistern tank lid and pull the inlet valve from the tank. Once replaced, ensure all seals are re-fitted.

To replace the outlet valve

Disconnect the pan and cistern, then remove the outlet valve by unscrewing the nut on the underside of the cistern tank and remove the cistern tank lid and pull the outlet valve from the tank. Once replaced, ensure all seals are re-fitted

Cleaning

To maintain the surface finish of your product, wipe clean after every use, using a clean damp cloth, a mild detergent mixture can be used. Do not use abrasive cleaning agents or materials which can strip and scratch the surface; the use of these agents or materials can invalidate your guarantee.

For more information

- visit betterbathrooms.com
- email customerservices@buyitdirect.co.uk
- call 0330 390 3062
- write to Trident Business Park, Neptune Way, Huddersfield, HD2 1UA

better 
bathrooms

Part of the BuyItDirect Group